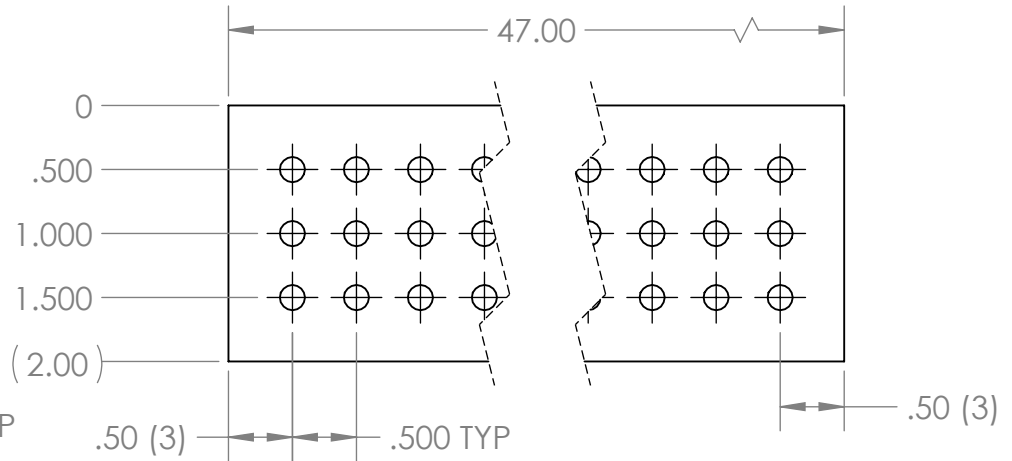
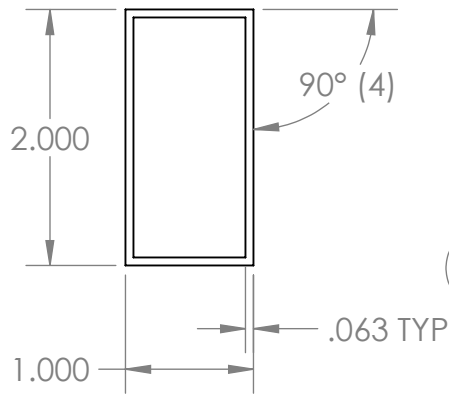
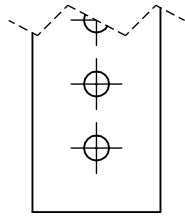
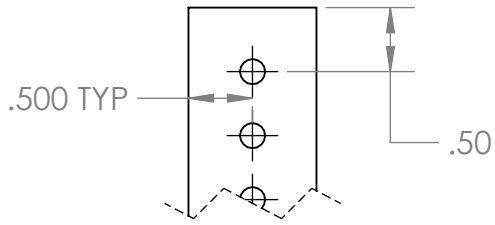
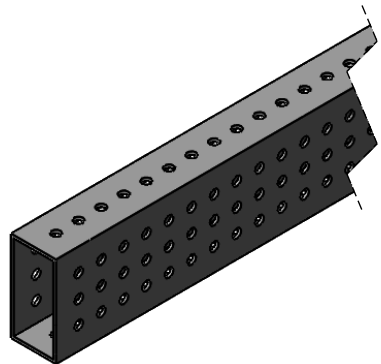



REVISION HISTORY			
REV.	DESCRIPTION	DATE	DRAWN BY
1	ORIGINAL PRINT	9/25/2023	E. SCIME
2	UPDATED PART NUMBER	10/27/2023	N. MASSOUDA
3	SET FIXED LENGTH, REVISED PROFILE	11/27/2023	E. SCIME



*** SEE CAD FOR ADDITIONAL TOOLPATH INFO***



UNLESS OTHERWISE SPECIFIED:		COMMENTS:															
DIMENSIONS ARE IN INCHES		DUAL DIMENSIONS ARE IN MILLIMETERS.															
TOLERANCES:		BREAK ALL SHARP EDGES.		TITLE: 2 x 1 x 0.063 WALL PRE-DRILLED BOX TUBING													
FRACTIONAL	±1/16	<table border="1"> <tr> <td>CHECKED</td> <td>NAME</td> <td>DATE</td> </tr> <tr> <td>ENG APPR.</td> <td>NM</td> <td>11/27/23</td> </tr> <tr> <td>MFG APPR.</td> <td></td> <td></td> </tr> <tr> <td>Q.A.</td> <td></td> <td></td> </tr> </table>	CHECKED	NAME	DATE	ENG APPR.	NM	11/27/23	MFG APPR.			Q.A.			SIZE	DWG. NO.	REV
CHECKED	NAME		DATE														
ENG APPR.	NM		11/27/23														
MFG APPR.																	
Q.A.																	
ANGULAR: MACH	±1°	<table border="1"> <tr> <td>A</td> <td>am-5179</td> <td>3</td> </tr> </table>	A	am-5179	3	SCALE: 1:1.5											
A	am-5179		3														
ANGULAR: BEND	±5°		SHEET 1 OF 1														
ONE PLACE DECIMAL	±0.1																
TWO PLACE DECIMAL	±0.01																
THREE PLACE DECIMAL	±0.005																
FOUR PLACE DECIMAL	±0.0005																
MATERIAL	6061-T6																
FINISH	DEBURRED																
DO NOT SCALE DRAWING																	